

For use in low voltage high frequency inverters, freewheeling, DC/DC converters, and polarity protection applications.

: DO-214AA (SMB)

Molding compound meets UL 94 V-0 flammability rating, RoHS-compliant, halogen-free

: Tin plated leads, solderable per

J-STD-002 and JESD22-B102

Cathode line denotes the cathode end

(T<sub>j</sub>=25 Unless otherwise specified

Device marking code			SS									
			52BH	53BH	54BH	55BH	56BH	58BH	510BH	515BH	520BH	
Repetitive peak reverse voltage		V <sub>RRM</sub>	V	20	30	40	50	60	80	100	150	200
Average rectified output current @60Hz sine wave, resistance load, T <sub>L</sub> (FIG.1)		I <sub>O</sub>	A	5.0								
Surge(non-repetitive) forward current	@60Hz half-sine wave, 1 cycle, T <sub>j</sub> =25	I <sub>FSM</sub>	A	100								
	@1ms,square wave, 1 time, T <sub>j</sub> =25			200								
Typical junction capacitance @ Measured at 1MHZ and Applied Reverse Voltage of 4.0 V D.C.		C <sub>j</sub>	pF	250			210		140		80	
Storage temperature		T <sub>stg</sub>		-55 ~+175								
Junction temperature		T <sub>j</sub>		-55~+150			-55 ~+175					

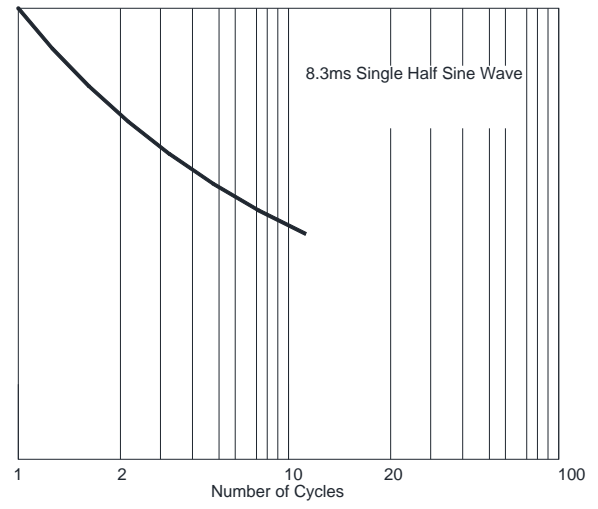


---

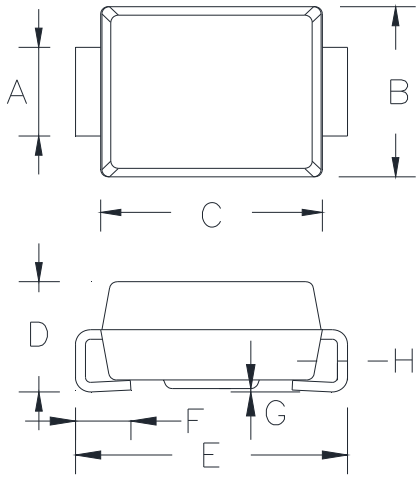
$T_j=25$  Unless otherwise specified

--	--	--	--	--	--	--

Instantaneous



DO-214AA(SMB)



Dim	Min	Max
A	1.85	2.15
B	3.30	3.94
C	4.05	4.75
D	1.99	2.61
E	5.21	5.59
F	0.90	1.41
G	0.05	0.20
H	0.15	0.31

Dim	Millimeters
P1	6.8
P2	4.3
P3	1.8
Q1	2.5
Q2	2.3



---

The information presented in this document is for reference only. Yangzhou Yangjie Electronic Technology Co., Ltd. reserves the right to make changes without notice for the specification of the products displayed herein to improve reliability, function or design or otherwise.

The product listed herein is designed to be used with ordinary electronic equipment or devices, and not designed to be used with equipment or devices which require high level of reliability and the malfunction of which would directly endanger human life (such as medical instruments, transportation equipment, aerospace machinery, nuclear-reactor controllers, fuel controllers and other safety devices), Yangjie or anyone on its behalf, assumes no responsibility or liability for any damage or injury caused by the use of the product.